

# PPC-150T-EHL Series



## Specifications

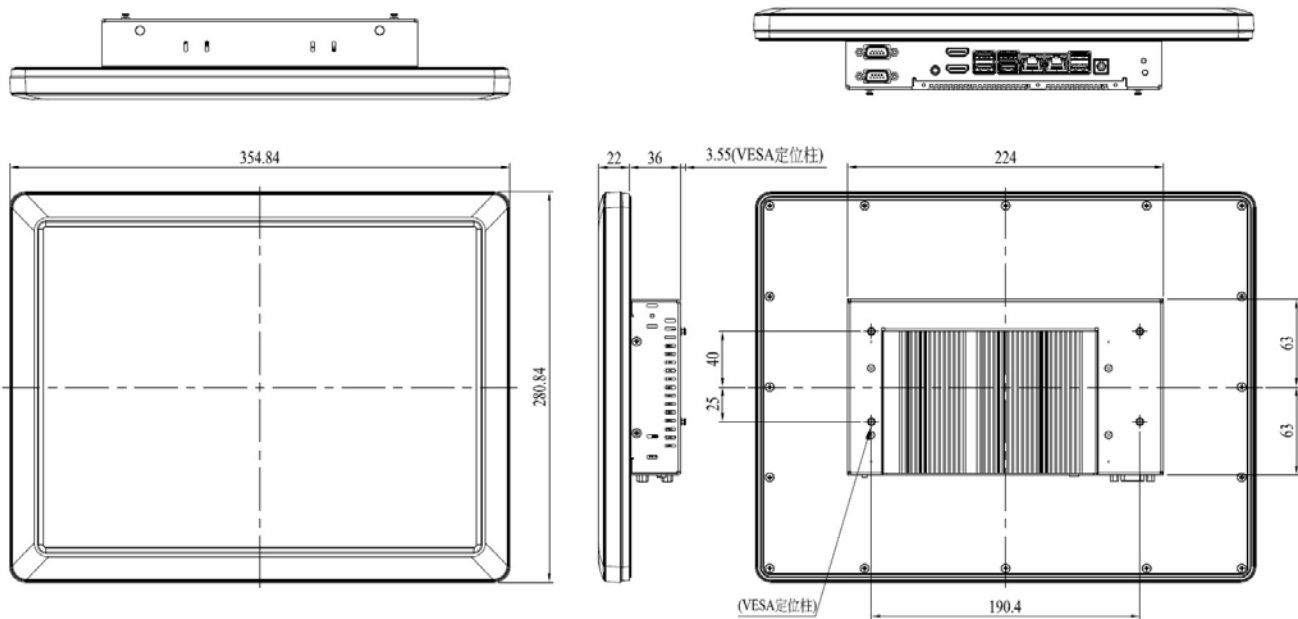
|                          |  |                 |
|--------------------------|--|-----------------|
|                          | Type   | XGA TFT-LCD     |
|                          | Size   | 15"             |
| LCD Display              | Resolution (Pixel)   | 1024 x 768      |
|                          | Brightness   | 350 cd/m2       |
|                          | Backligh life  | 30,000 hours    |
|                          | Touch Screen Type  | Resistive Touch |
| Processor                | Intel® Elkhart Lake J6412 Processor (Quad core 2.0GHz)                                     |                 |
| System RAM               | 8GB / 16GB / 32GB DDR4 Memory  |                 |
| BIOS                     | AMI BIOS   |                 |
| Disk Support             | M.2 M-key (2242/2280) PCIe Gen.3 *2/SATA interface support NVME                            |                 |
| Expansion                | M.2 B-key (3024) USB3.1/USB2.0 interface<br>M.2 E-key (2230) USB2.0/PCIe Gen3 *1 interface |                 |
| Display                  | HDMI x2  |                 |
| Ethernet                 | Intel® i225-V 2.5GbE x2  |                 |
| Audio                    | HD Audio Realtek ALC888S   |                 |
| Serial Ports             | 2 COM ports (COM1 RS232/485/422 support & COM2 RS232 support)                              |                 |
| USB Ports                | USB3.1 (Gen2) x3   | USB2.0 x3       |
| Power Requirement        | +12~+24V Power Adapter Only  |                 |
| Operating Temperature    | 0°C to +60°C   |                 |
| Storage Temperature      | -30°C to + 70°C  |                 |
| Dimention (W x H x D) mm | 354.84 x 280.84 x 61.55  |                 |
| OS Support               | Windows 10 & Windows 11(64-bit), Linux   |                 |
| Cartificate              | CE, UKCA, FCC, VCCI, Shock, Vibration, IP65 (Front Panel)                                  |                 |

## Ordering Information

| Part Number          | Description   |
|----------------------|---|
| PPC-150T-EHL-J6-8G   | PPC-150T-EHL Series with Intel® Elkhart Lake J6412, 8GB DDR4 Memory, 2S, 2*2.5GLAN and Resistive Touch  |
| PPC-150T-EHL-J6-16G  | PPC-150T-EHL Series with Intel® Elkhart Lake J6412, 16GB DDR4 Memory, 2S, 2*2.5GLAN and Resistive Touch |
| PPC-150T-EHL-J6-32G  | PPC-150T-EHL Series with Intel® Elkhart Lake J6412, 32GB DDR4 Memory, 2S, 2*2.5GLAN and Resistive Touch |
| POWER-12V3.34A-MW    | AC – DC power adapter / DC12V @ 3.34A (AC 90 ~ 240V Input)  |
| POWERCABLE(A) / (G)  | US / Euro power cord for POWER-12V3.34A-MW  |
| VESA-MT-PPC-EHL-SET  | VESA mount bracket set  |
| PANEL-MT-PPC-APL-SET | Panel mount set with clamps and screws  |

# PPC-150T-EHL Series

## Dimension



## Panel Mounting and VESA Mounting (VESA Mounting kit optional)

