

PPC-090T-APL Series



Specifications

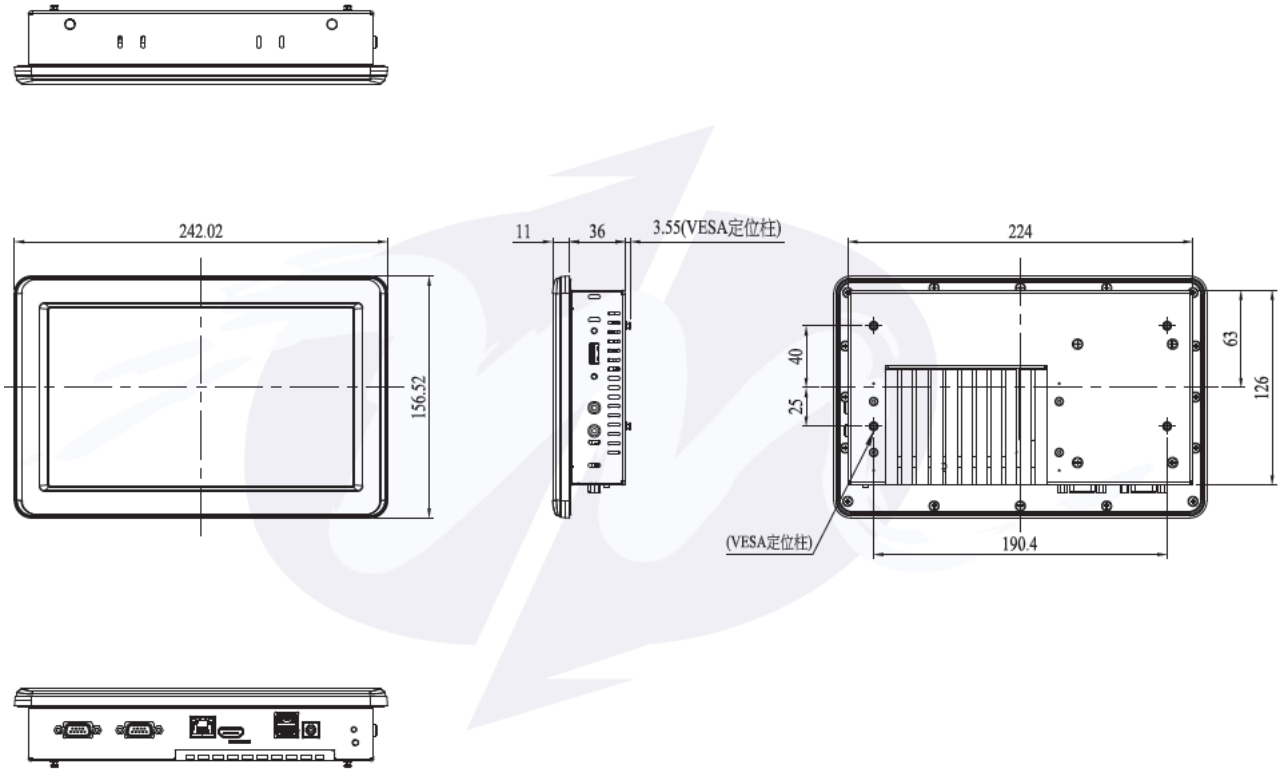
	Type	WSVGA TFT-LCD
	Size	9"
LCD Display	Resolution (Pixel)	1024 x 600
	Brightness	300 cd/m2
	Backligh life	18,000 hours
	Touch Screen Type	Analog Resistive
Processor	Intel® Apollo Lake N4200 Processor (Quad core 2.5GHz) / Option for N3350 (Dual core) Processor	
System RAM	4GB/8GB DDR3L Memory	
BIOS	AMI BIOS	
Expansion	MiniPCIe Slot x1, SIM Card Holder x1	
Display	Intel® HD Graphics, HDMI 1.4 (As Dual Display)	
Ethernet	Integrated 10/100/1000Mbps Ethernet	
Audio	HD Audio Realtek ALC662VD	
Disk Support	2.5" SATA HDD/SSD Support (SATA III 6.0Gb/s) M.2 Slot Support (M-Key, SATA Interface, 2242)	
Serial Ports	RS232/422/485 x1 (COM1) RS232 x1 (COM2)	
USB Ports	USB3.0 x2	USB2.0 x1
Power Requirement	AC – DC Adapter/DC12V @ 3.3A (AC 90 ~ 240V Input)	
Operating Temperature	0°C to +60°C	
Storage Temperature	-20°C to + 70°C	
Dimention (W x H x D) mm	242.02 x 156.52 x 50.55	
OS Support	Windows 10 (64-bit), Linux	
Cartificate (Coming soon)	CE, FCC, VCCI, Shock, Vibration, IP65 (Front Panel)	

Ordering Information

Part Number	Description
PPC-090T-APL-N4-4G	PPC-090T-APL Series with Intel® Apollo Lake N4200 Processor (Quad Core) and 4GB of DDR3L Memory
PPC-090T-APL-N4-8G	PPC-090T-APL Series with Intel® Apollo Lake N4200 Processor (Quad Core) and 8GB of DDR3L Memory
PPC-090T-APL-N3-4G	PPC-090T-APL Series with Intel® Apollo Lake N3350 Processor (Dual Core) and 4GB of DDR3L Memory
PPC-090T-APL-N3-8G	PPC-090T-APL Series with Intel® Apollo Lake N3350 Processor (Dual Core) and 8GB of DDR3L Memory

PPC-090T-APL Series

Dimension



Panel Mounting and VESA Mounting (VESA Mounting kit optional)

