

PN8M-090T Series



Specifications

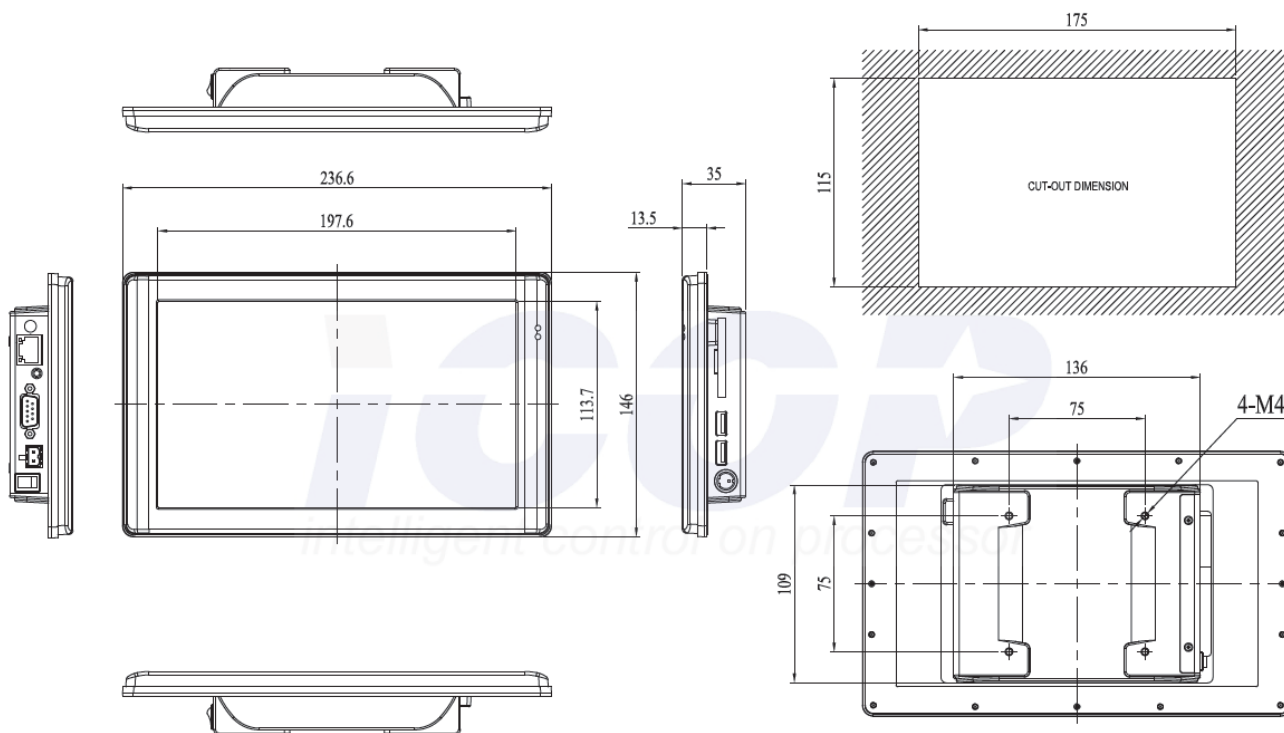
	Type	WSVGA TFT-LCD
	Size	9"
LCD Display	Resolution (Pixel)	1024 x 600
	Brightness	300 cd/m ²
	Backlight life	20,000 hours
	Touch Screen Type	Analog Resistive
Processor	NXP i.MX8M Mini, Quad-core 1.6GHz ARM Cortex-A53 processor	
System RAM	1GB / 2GB / 4GB LPDDR4 Memory onboard	
Internal Drives	8GB / 16GB / 32GB / 64GB eMMC onboard & Micro SD Slot	
Expansion	MiniPCIe Slot with Micro SIM Card Holder	
Wireless Support	WLAN & Bluetooth (Optional)	
Ethernet	Integrated 10/100/1000Mbps Ethernet	
Audio	WM8960 Stereo, Line-out	
Serial Ports	RS232/485 x1 (COM1)	
USB Ports	USB2.0 x2	
Power Requirement	Single Voltage +5VDC (Version: 5A) / Multi-Voltage +8~+35VDC (Version: 8A)	
Operating Temperature	0°C to +60°C / -20°C to +70°C (Optional)	
Storage Temperature	-30°C to + 80°C	
Dimension (W x H x D) mm	236.6 x 146 x 35	
OS Support	Yocto Linux, Win10 IoT Core	
Certificate (Coming Soon)	CE, FCC, VCCI, NOM, TUV, KCC, BIS, Shock, Vibration, IP65 (Front Panel)	

Ordering Information

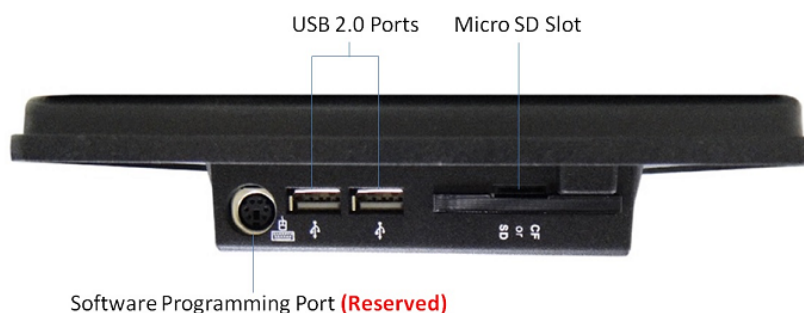
Part Number	Description
PN8M-090T-8A-B5GM	PN8M-090T with i.MX8M Mini (Quad Core 1.6GHz), 2GB of LPDDR4, 16GB eMMC MLC, Wifi&BT and DC+8~35V
PN8M-090T-8A-N5GM	PN8M-090T with i.MX8M Mini (Quad Core 1.6GHz), 2GB of LPDDR4, 16GB eMMC MLC and DC+8~35V.
PN8M-090T-8A-B5GS	PN8M-090T with i.MX8M Mini (Quad Core 1.6GHz), 2GB of LPDDR4, 16GB eMMC SLC , Wifi&BT and DC+8~35V.
PN8M-090T-8A-N5GS	PN8M-090T with i.MX8M Mini (Quad Core 1.6GHz), 2GB of LPDDR4, 16GB eMMC SLC , DC+8~35V.
PN8M-090T-8A-B4FM	PN8M-090T with i.MX8M Mini (Quad Core 1.6GHz), 1GB of LPDDR4, 8GB eMMC MLC, Wifi&BT and DC+8~35V.
PN8M-090T-8A-N4FM	PN8M-090T with i.MX8M Mini (Quad Core 1.6GHz), 1GB of LPDDR4, 8GB eMMC MLC, DC+8~35V.
PN8M-090T-5A-B5GM	PN8M-090T with i.MX8M Mini (Quad Core 1.6GHz), 2GB of LPDDR4, 16GB eMMC MLC, Wifi&BT and DC+5V.
PN8M-090T-5A-N5GM	PN8M-090T with i.MX8M Mini (Quad Core 1.6GHz), 2GB of LPDDR4, 16GB eMMC MLC and DC+5V.
PN8M-090T-5A-B5GS	PN8M-090T with i.MX8M Mini (Quad Core 1.6GHz), 2GB of LPDDR4, 16GB eMMC SLC , Wifi&BT and DC+5V.
PN8M-090T-5A-N5GS	PN8M-090T with i.MX8M Mini (Quad Core 1.6GHz), 2GB of LPDDR4, 16GB eMMC SLC and DC+5V.

PN8M-090T Series

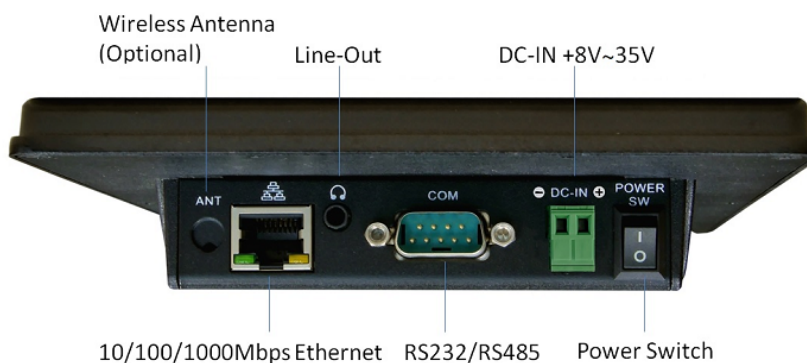
Dimension



Overview



PN8M-090T-8A Series:



PN8M-090T-5A Series:

