

PDX-057T / PMX-057T



FEATURES

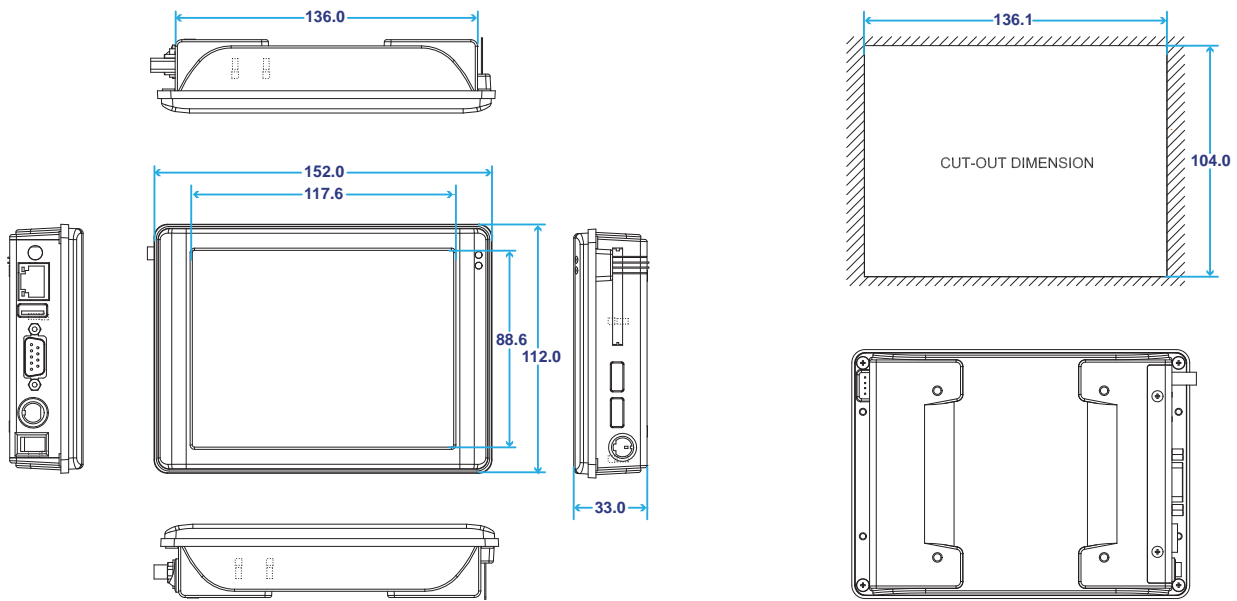
- 5.7" TFT LCD with Resistive Touchscreen
- DMP Processor 933MHz Onboard
- 256MB / 512MB / 1GB System Memory Onboard
- Compact Flash Type I/II / Micro SD Slot
- Wi-Fi Support (Optional)
- Fanless and Low Power Consumption



SPECIFICATION

SPECIFICATION \ MODEL	PDX-057T	PMX-057T	
LCD Display	Type	VGA TFT LCD	
	Size	5.7"	
	Resolution (Pixel)	640x480	
	Colors	262,144	
	View Angle	Vertical 100°, Horizontal 140°	
	Brightness	500 cd/m ²	
	Backlight life	25,000 hrs	
	Contrast Ratio	300:1	
CPU	DMP Vortex86DX 933MHz	DMP Vortex86MX+ 933MHz	
Cache	L1:16KB I-Cache, 16KB D-Cache L2:256KB Cache		
Memory	256 / 512MB Memory Onboard	1GB Memory Onboard	
Watchdog Timer	Software Programmable from 30.5u to 512 Seconds x 2 Sets		
Serial Port	RS-232 / 422 / 485 x 1		
USB Ports	USB ports (Ver2.0) x 2		
Ethernet	Integrated 10/100Mbps Ethernet		
Audio	CM119 Audio Controller	HD Audio-Realtek ALC262 CODEC	
Internal Drives	Compact Flash Type I/II Slot, Micro SD Slot		
Touch Screen Type	Analog Resistive		
Expansion Slot	Wi-Fi Optional		
Power Requirement	+5VDC / +8~+35VDC (DC10-24V with Power Switch)		
Power Consumption	+5V@1.3A	+5V@1.5A	
Operating Temperature	-20 ~ +60 °C (-4 ~ +140 °F)	0 ~ +50 °C (32 ~ +122 °F)	
Storage Temperature	-30 ~ +70 °C (-22 ~ +158 °F)	-10 ~ +60 °C (14 ~ +140 °F)	
Operating Humidity	0% ~ 90% Relative Humidity, Non-Condensing		
Operating System	DOS, Linux, Windows CE, Windows XP		
Dimensions	152 x 112 x 33mm (5.98" x 4.41" x 1.3")		
Weight	374g		
Certificate	CE, FCC, VCCI, Vibration		

DIMENSIONS



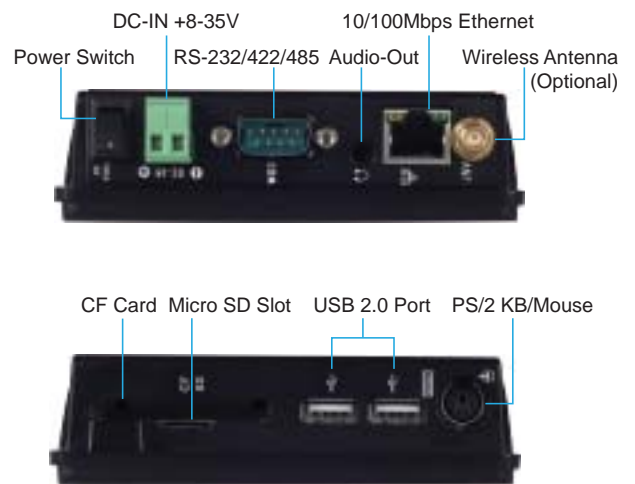
Unit: mm

I/O VIEW

PDX-057T-5A / PMX-057T-5A



PDX-057T-8A / PMX-057T-8A



ORDERING INFORMATION

PDX-057T-RD5A	5.7" Vortex86DX Panel PC w/256MB Memory / 2USB / Line-Out / LAN / 1COM / CF/ MicroSD / Power Adapter
PDX-057T-RD8A	5.7" Vortex86DX Panel PC w/256MB Memory / 2USB / Line-Out / LAN / 1COM / CF/ MicroSD
PDX-057T-RD5A-512	5.7" Vortex86DX Panel PC w/512MB Memory / 2USB / Line-Out / LAN / 1COM / CF/ MicroSD / Power Adapter
PDX-057T-RD8A-512	5.7" Vortex86DX Panel PC w/512MB Memory / 2USB / Line-Out / LAN / 1COM / CF/ MicroSD
PMX-057T-5A	5.7" Vortex86DX Panel PC w/1GB Memory / 2USB / Line-Out / LAN / 1COM / CF/ MicroSD / Power Adapter
PMX-057T-8A	5.7" Vortex86DX Panel PC w/1GB Memory / 2USB / Line-Out / LAN / 1COM / CF/ MicroSD