

# PBSW-090T Series



## Specifications

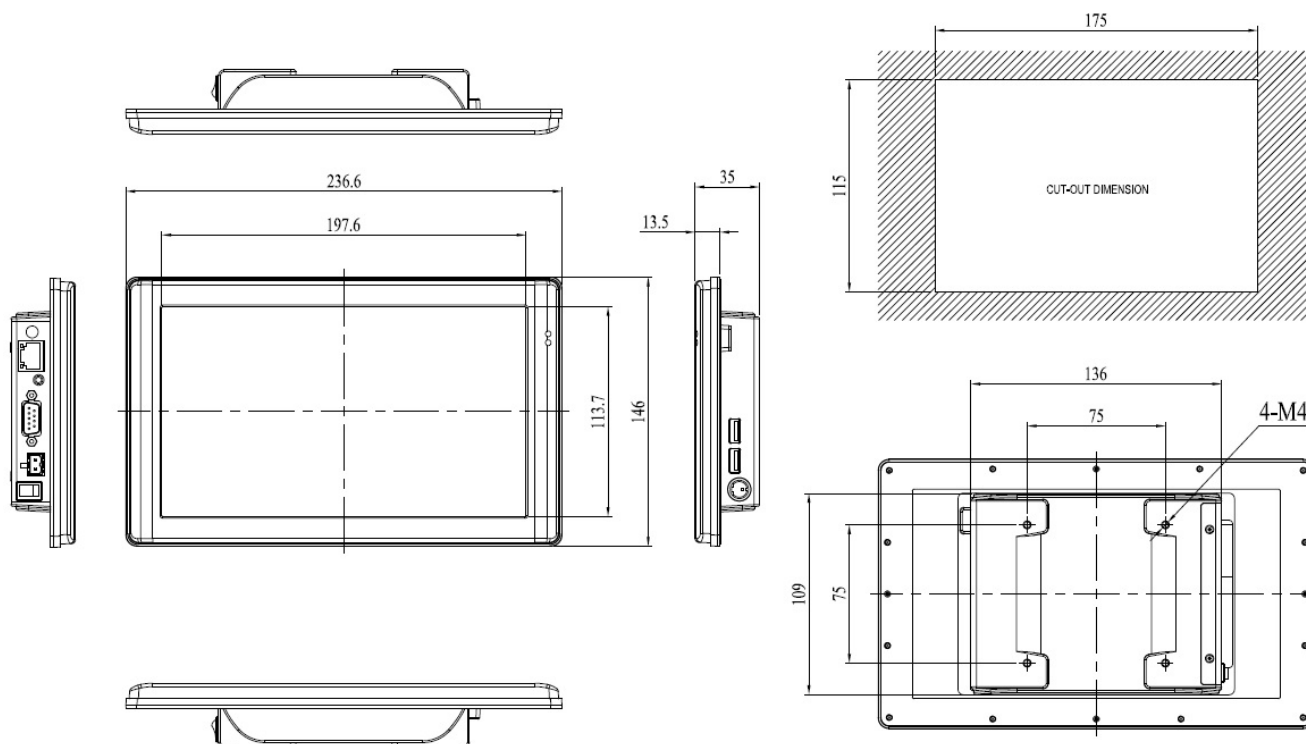
Type	WSVGA TFT-LCD	
Size	9"	
LCD Display	Resolution (Pixel)	1024 x 600
	Brightness	300 cd/m <sup>2</sup>
	Backlight life	20,000 hours
Touch Screen Type	Analog Resistive	
Processor	Intel® Braswell Atom x5-E8000 Processor (Quad core 1.04GHz; Burst 2.00GHz) Intel® Braswell Pentium N3710 Processor (Quad core 1.60GHz; Burst 2.56GHz) Intel® Braswell Celeron N3160 Processor (Quad core 1.60GHz; Burst 2.24GHz)	
System RAM	4GB DDR3L Onboard	
BIOS	AMI BIOS	
Expansion	MiniPCIe Slot x1, Micro SIM Card Holder x1	
Ethernet	Integrated 10/100/1000Mbps Ethernet	
Audio	HD Audio, Realtek ALC262	
Disk Support	M.2 Slot Support (M-Key, SATA Interface, 2242)	
Serial Ports	RS232 x1	
USB Ports	USB3.0 x2	
Power Requirement	8A: +12V ~ +36VDC power input by terminal block	
Operating Temperature	0°C to +50°C / -20°C to +60°C (Optional)	
Storage Temperature	-30°C to + 80°C	
Dimension (W x H x D) mm	236.6 x 146 x 35	
OS Support	Windows 10 (64-bit), Windows 7 (64-bit), Linux	
Certificate (Coming soon)	CE, FCC, VCCI, NOM, Shock, Vibration, IP65 (Front Panel)	

## Ordering Information

Part Number	Description
PBSW-090T-8A-E8-4G	PBSW-090T Series with Intel® Braswell Atom x5-E8000 Processor (Quad Core), 4GB DDR3L onboard and DC12~36V Power input
PBSW-090T-8A-N7-4G (BTO)	PBSW-090T Series with Intel® Braswell Pentium N3710 Processor (Quad Core), 4GB DDR3L onboard and DC12~36V Power input
PBSW-090T-8A-N6-4G (BTO)	PBSW-090T Series with Intel® Braswell Celeron N3160 Processor (Quad Core), 4GB DDR3L onboard and DC12~36V Power input

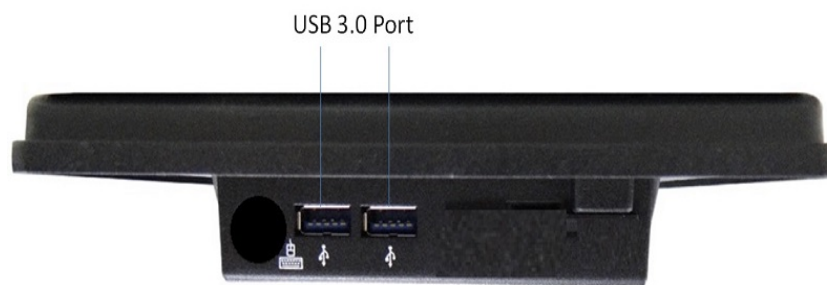
# PBSW-090T Series

## Dimension



## Overview

### PBSW-090T Right Site



### PBSW-090T Left Site

