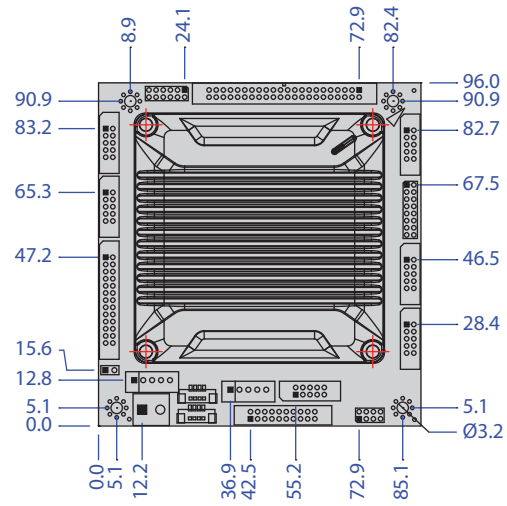
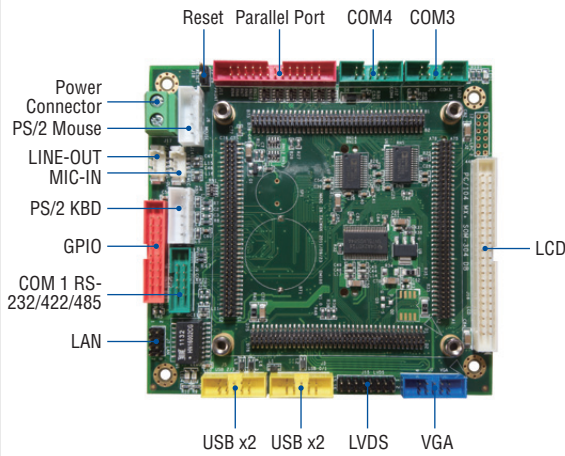


SOM304MP-6453

3S/4USB/VGA/LCD/LVDS/AUDIO/LAN/
GPIO/Printer/CF



Specifications

Connector	1.25mm 4-pin wafer for Lin-out/MIC-in x 2 1.27mm 76-pin header for signal x4 2.00mm 44-pin box header for LCD x1 2.00mm 26-pin box header for Printer x1 2.00mm 20-pin box header for 16 bit GPIO x1 2.00mm 16-pin header for LVDS x1 2.00mm 10-pin header for VGA x 1 2.00mm 10-pin box header for USB x2 2.00mm 10-pin box header for RS-232 x3 2.00mm 8-pin header for Ethernet x 1 2.54mm 2-pin header for reset x 1 2.54mm 5-pin box header for keyboard x 1 2.54mm 5-pin box header for mouse x 1 Type I/II Compact Flash Slot x 1
Power Requirement	Single Voltage +5V @ 200mA
Dimensions	90 x 96mm (3.54 x 3.77 inches)
Weight	125g
Operating Temperature	0°C ~ +60°C -20°C ~ +70°C (Optional)

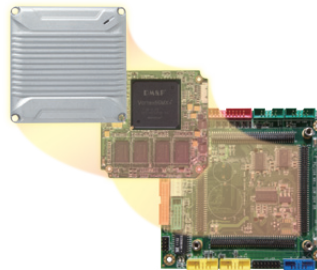
Packing List

- SOM304MP-6453 x 1
- Cable
RS-232 (2.0) x 3
VGS (2.0) x 1
GPIO (2.0) x 1
USB (2.0) x 2
PRINT (2.0) x 1
Audio Line x 2
NET 4x2 (2.0) x 1
PS2 Keyboard x 1
PS2 Mouse x 1

Ordering Information

- **SOM304MP-6453** SOM304MP-VP PC/104 Development Board
- **VMXP-6453-3NS1** Vortex86MX+ 3.5" CPU Module with 512MB DDR2
- **VMXP-6453-3BS1** Vortex86MX+ 3.5" CPU Module with 512MB DDR2, NAND Flash 512MB
- **VMXP-6453-4NS1** Vortex86MX+ 3.5" CPU Module with 1GB DDR2

SOM304MP-VP Development Kit



**SOM304MP-6453 SOM304MP-VP
PC/104 development board**
w/3S/4USB/VGA/LCD/LVDS/AUDIO/LAN/
GPIO/Printer/CF