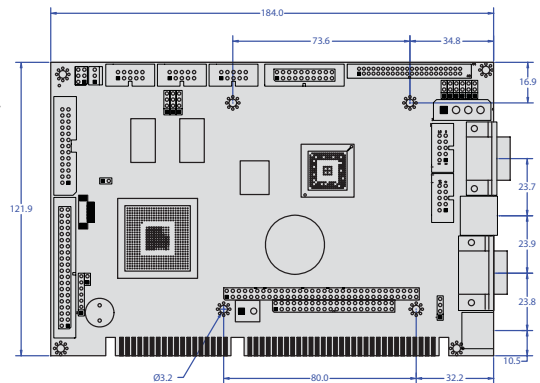
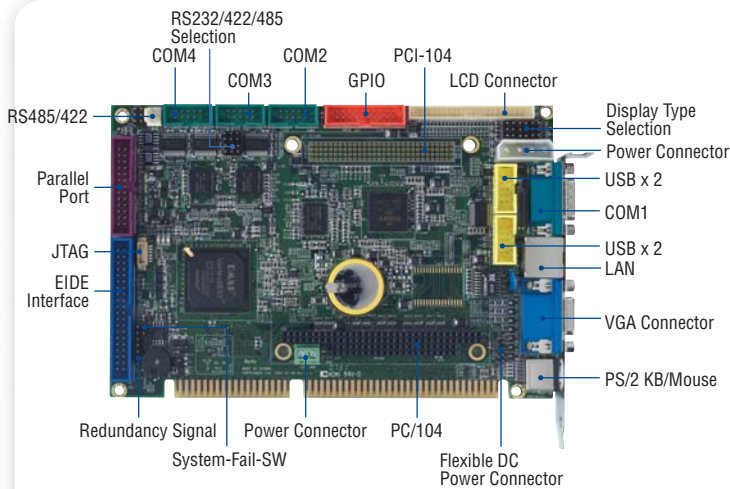


VSX-6124

128MB/4S/4USB/VGA/LCD/LAN/GPIO

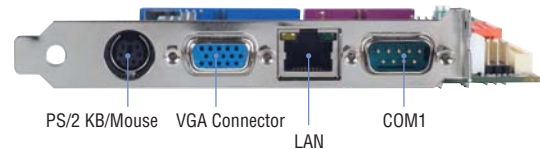


Unit: mm

Specifications

SoC	DM&P SoC CPU Vortex86SX- 300MHz Real Time Clock with Lithium Battery Backup
Cache	L1:16K I-Cache, 16K D-Cache
Bus	PC/104 standard compliant PCI-104, PC/104+ (Optional)
BIOS	AMI BIOS
System Memory	128MB DDR2 Onboard
Watchdog Timer 0 & 1 Sets	Software programmable from 30.5μ sec. to 512 sec. x 2 sets (Watchdog 1 fully compatible with M6117D)
VGA	XGI Volari Z9s Chipset VGA and TFT Flat Panel Interface Support Onboard 32MB VGA Memory, support resolution up to 1280x1024, 16M colors
LAN	Integrated Ethernet
Flash Disk Support	Onboard 2MB SPI Flash Disk MSTI EmbedDisk Module (16MB and above)
I/O Interface	Enhanced IDE port (UltraDMA-100/66/33) x1 RS-232 port x3 RS-232/422/485 port x1 USB port (Ver.2.0) x4 Parallel port x1 16-bit GPIO port x1 10/100Mbps Ethernet port x1
Connectors	2.0mm 44-pin box header for LCD x1 2.54mm 40-pin box header for IDE x1 2.54mm 26-pin box header for Printer x1 2.54mm 20-pin box header for 16-bit GPIO x1 2.54mm 10-pin box header for RS-232 x3 2.54mm 10-pin box header for USB x2 2.54mm 7-pin header for Redundancy Signal x1 2.54mm 3-pin header for RS-485/422 x1 2.54mm 2-pin header for System-Fail-SW x1 2.54mm 4-pin header for -5V, -12V, +12V, GND, DC-in x1 1.25mm 6-pin wafer for JTAG x1 4-pin male power connector x1 External 15-pin D-Sub female connector for VGA x1 External 9-pin D-Sub male connector for RS-232 x1 External RJ-45 connector for Ethernet x1 External Mini DIN connector for Keyboard/Mouse x1

Power Requirement	Single Voltage +5V @ 640mA
Weight	176g
Board Size	184 X 122mm (7.24 x 4.80 inches)
Operating Temperature	-20°C ~ +70°C -40°C ~ +85°C (Optional)



Packing List

- VSX-6124 x1
- CD for User's Manual & Driver x1
- Cable
 - HDD 40P (2.54) x1
 - PRINT (2.54) x1
 - USB (2.54) x2
 - GPIO (2.54) x1
 - RS-232 (2.54) x3
 - YKB x1

Ordering information

- **VSX-6124** Vortex86SX Half-Size CPU Module with 128MB DDR2