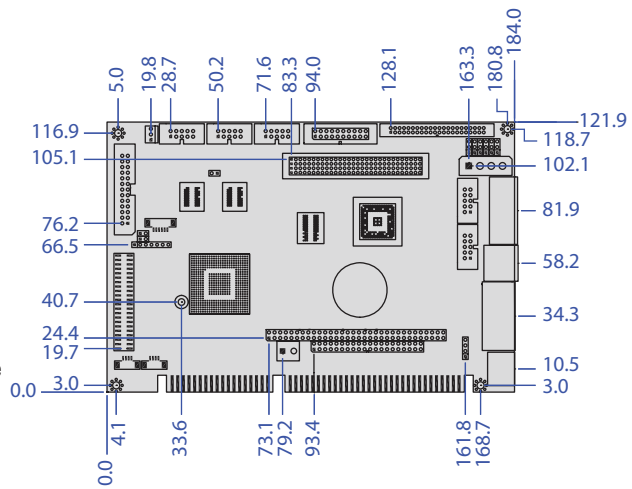
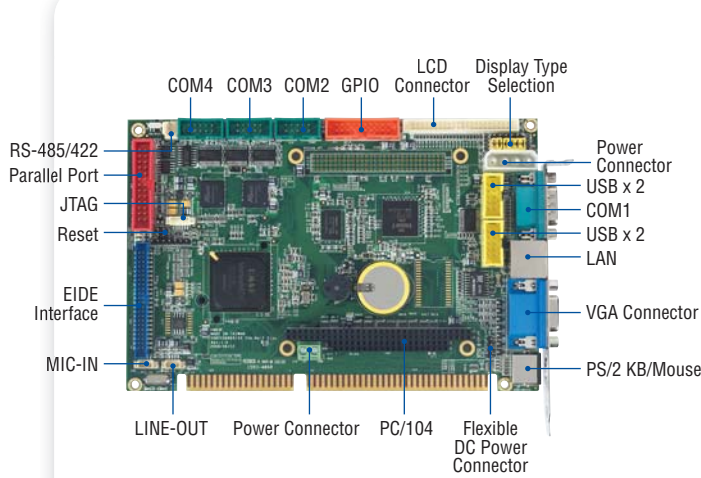


# VDX-6324

256MB/4S/4USB/VGA/LCD/AUDIO/LAN/GPIO



## Specifications

<b>SoC</b>	DM&P SoC CPU Vortex86DX- 800MHz Real Time Clock with Lithium Battery Backup
<b>Cache</b>	L1:16K I-Cache, 16K D-Cache, L2 Cache 128 KB
<b>Bus</b>	PC/104 standard compliant PC-104, PC/104+ (Optional)
<b>BIOS</b>	AMI BIOS
<b>System Memory</b>	256MB DDR2 Onboard
<b>Watchdog Timer</b>	Software programmable from 30.5μ sec.to 512 sec. x 2 sets (Watchdog 1 fully compatible with M6117D)
<b>VGA</b>	XGI Volari Z9s Chipset VGA and TFT Flat Panel Interface Support Onboard 32MB VGA Memory, support resolution up to 1280 x 1024, 16M colors
<b>LAN</b>	Integrated 10/100Mbps Ethernet
<b>Audio</b>	CM119 USB Audio Controller
<b>Flash Disk Support</b>	Onboard 4MB SPI Flash Disk MSTI EmbedDisk Module (16MB and above) Compact Flash Type I/II (Optional)
<b>I/O Interface</b>	Enhanced IDE port (UltraDMA-100/66/33) x1 RS-232 port x3 RS-232/422/485 port x1 USB port (Ver2.0) x4 Parallel port x1 16-bit GPIO port x1 10/100Mbps Ethernet port x1
<b>Connectors</b>	2.0mm 44-pin box header for IDE x1 2.0mm 44-pin box header for LCD x1 2.54mm 26-pin box header for Printer x1 2.54mm 20-pin box header for 16-bit GPIO x1 2.54mm 10-pin box header for RS-232 x3 2.54mm 10-pin box header for USB x2 2.54mm 4-pin header for -5V, -12V, +12V, GND x1 2.54mm 3-pin header for RS-485 x1 2.54mm 2-pin header for Reset x1 2.54mm 7-pin header for Redundancy Signal x1 (Optional) 2.54mm 2-pin header for System-Fail-SW x1 (Optional) 1.25mm 6-pin header for JTAG x1 1.25mm 4-pin wafer for Line-out/MIC-in x2 4-pin male power connector x1 External 15-pin D-Sub female connector for VGA x1

<b>Connectors</b>	External 9-pin D-Sub male connector for RS-232 x1 External RJ-45 connector for Ethernet x1 External Mini DIN connector for Keyboard/Mouse x1 Type I/II Compact Flash Slot x1
<b>Power Requirement</b>	Single Voltage +5V @ 740mA
<b>Weight</b>	180g
<b>Board Size</b>	184 X 122mm (7.24 x 4.80 inches)
<b>Operating Temperature</b>	-20 °C ~ +70 °C -40 °C ~ +85 °C (Optional)

## Packing List

- VDX-6324 x1
- CD for User's Manual & Driver x1
- Cable
  - HDD 44P (2.0) x1
  - PRINT (2.54) x1
  - USB (2.54) x2
  - GPIO (2.54) x1
  - Audio Line x2
  - RS-232 (2.54) x3
  - YKB x1

## Ordering information

- **VDX-6324** Vortex86DX Half-Size CPU Module with 256MB DDR2
- **VDX-6324-CF** Vortex86DX Half-Size CPU Module with 256MB DDR2 + CF



VDX-6324-CF

Compact Flash Type I/II